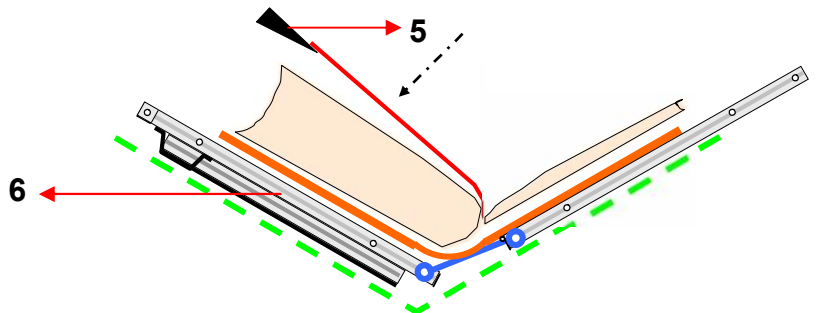
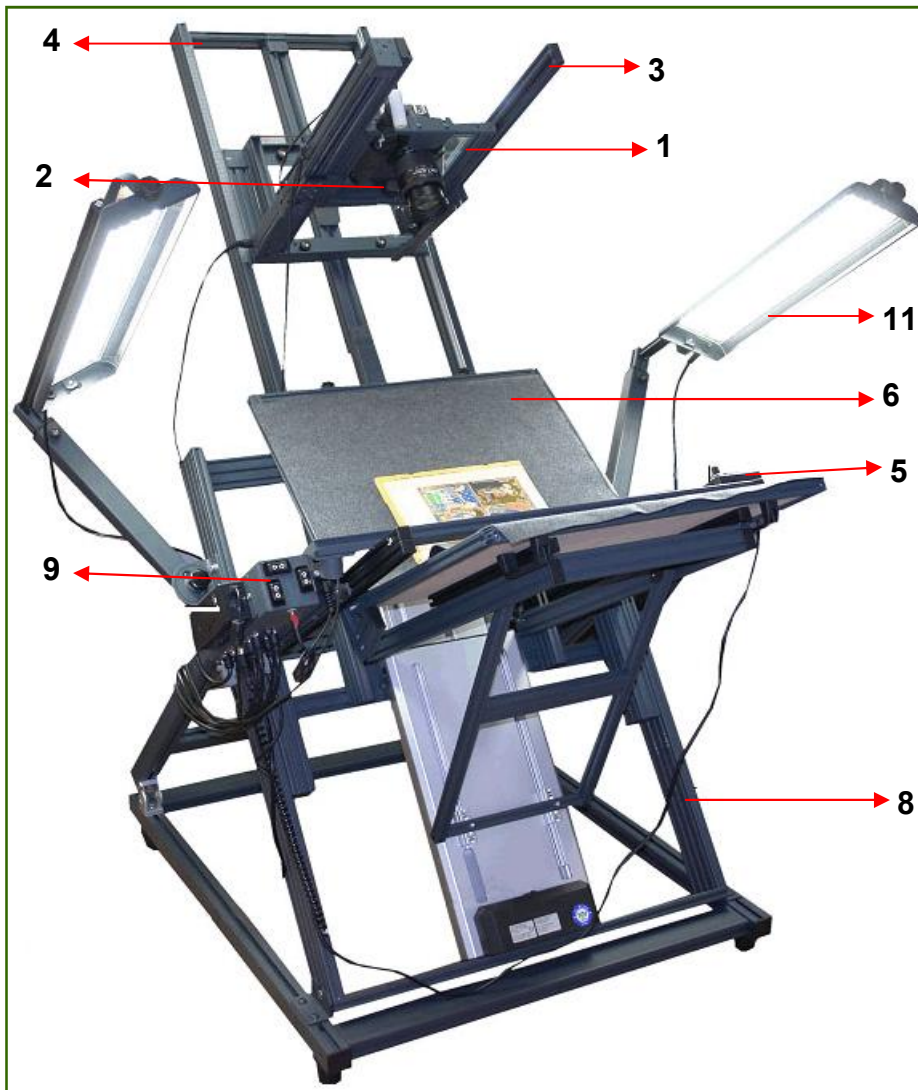




CONSERVATION COPY STAND KT5242



Icam Archive Systems Ltd.

3 The Old Mill, Blisworth Hill Barns, Stoke Road, Blisworth, Northamptonshire NN7 3DB
Telephone: +44 (0)1604 859700 Fax +44 (0)1604 859563
www.icamarchive.co.uk sales@icamarchive.co.uk

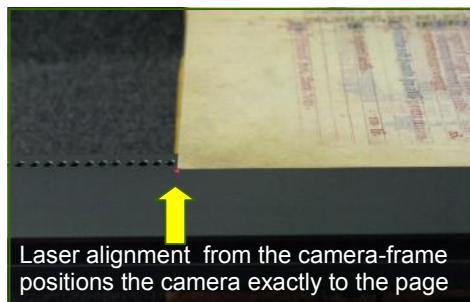


No.	Components
1	Camera-frame with camera-mount. Camera may be moved electromechanically horizontally in order to centre the lens to the page. On the camera-frame there is an adjustable LASER unit that indicates the correct position. <i>See image below.</i>
2	Camera-mount: Manfrotto '323'
3	Z-frame. This frame holds the camera-frame at 90 degrees to the Tilt-frame and the motorised actuator to move the camera-frame horizontally.
4	Tilt-Frame, tilting angle is 35 degrees. Holds the movable Z-frame and a motorised actuator. Frame may be moved vertically by actuator to vary the distance between camera and object between 60 and 110 cm.
5	Vacuum-support with regulator to adjust vacuum to minimum required
6	V-shaped book cradle. Angle between boards is approx. 110 degrees. Spine width and support adjustable. Book-cradle may be moved vertically by actuators in order to align the book to the horizontal-laser. <i>See image below.</i> Lens needs to be focussed only one time! Book cradle may be moved horizontally by hand.
7	Alignment bars. These profiles help to hold the binding in position during imaging.
8	Base. Holds the actuator for moving the book-cradle. It is possible to adjust the working height of the whole system by hand in order to provide the operator with optimal ergonomic conditions.
9	Control unit plus cables to actuators, lamps and Laser-units
10*	Accessories to hold pages of tightly-bound volumes and to help tightly-bound-volumes to remain open.
11	1 pair of lamps, using high efficiency LEDs (Light Emitting Diodes). Colour temperature approx 5500K (daylight) Safe for UV and IR. Lamps can be moved in distance and angle in order to obtain optimal lighting conditions.
12*	Vacuum-unit. This unit is connected to the vacuum-support (5) by a 6m long hose. A vacuum valve prevents overheating of the motor.

* no image



7 Alignment bars



Laser alignment from the camera-frame positions the camera exactly to the page

Max dimension of book: (H) 52 x (W) 42 x (D) 15cm
Dimension: (L) 150 x (W) 200 x (H) 190cm Weight: approx.60 kg.

Icam Archive Systems Ltd.

3 The Old Mill, Blisworth Hill Barns, Stoke Road, Blisworth, Northamptonshire NN7 3DB

Telephone: +44 (0)1604 859700 Fax +44 (0)1604 859563

www.icamarchive.co.uk sales@icamarchive.co.uk